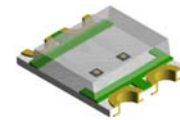


1613 SMD Package Bi-Color LED

VS 3JD8

Description

This is Bi-Color SMD LED series with dimension 1.6 mm (L) * 1.3 mm (W) * 0.4mm (H). The unique of these LED are made from AlGaInP chips that provide high luminous intensity at low driving current. The lens design provides 120 degree viewing angle and suitable for backlighting purpose. The available colors are Red/Yellow or even Red/Blue. Any color combinations specified by customers can be accepted.





Applications

- Industrial control systems signal indicator
- Automotive features
- Front panel indicator
- Status indication



Electronic Optical Characteristics (at 20mA):

Part Number	Emitted Color	λ (nm)		Iv(mcd)		VF(Volt)		View Angle	Lens
		λ_d	λ_p	Min.	Typ.	Typ.	Max.		
VS 3JD8	Red 	624	632	22.4	37	2.0	2.4	120	Clear
	Green 	573	575	9.0	15	2.0	2.4		

Absolute Maximum Ratings (at Ta=25°C)

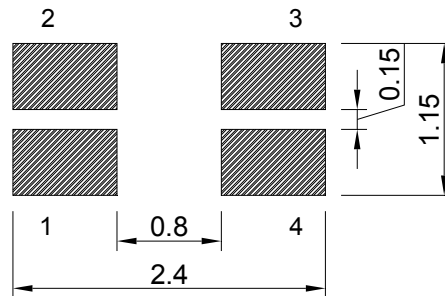
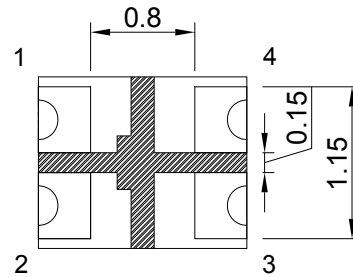
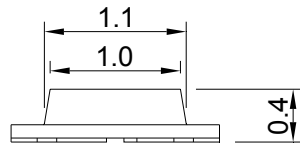
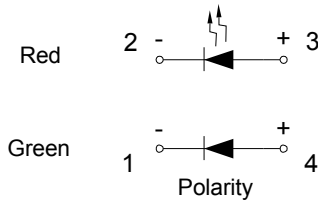
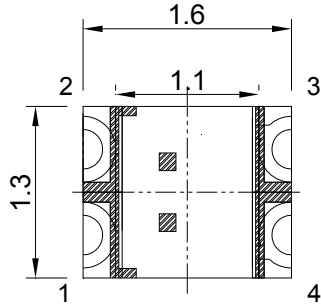
Emitted Color	P _D (mW)	I _F (mA)	I _{FP} (mA)	Iron Solder(°C)	IR@VR=5V	Topr(°C)	Tstg(°C)
Red	60	25	60*	350 ± 5 for 3 sec.	10	-40~+85	-40~+90
Green	60	25	60*		10	-40~+85	-40~+90

Note: Please take note the Absolute Maximum Rating values. Any operation beyond the specified ratings in this table will result degradation of LED life-span and may cause LED to fail.

* Peak forward current (duty 1/10 at 1KHz)

Package Dimension:

unit:mm

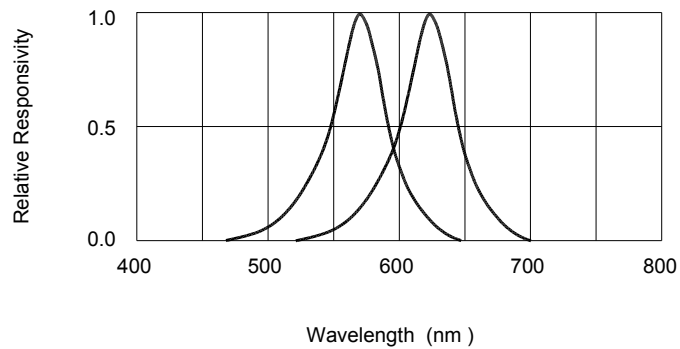
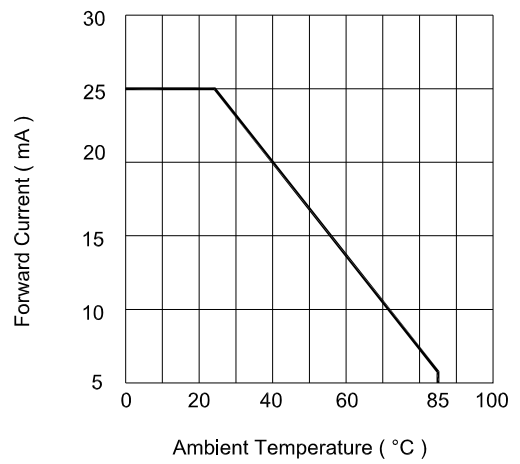
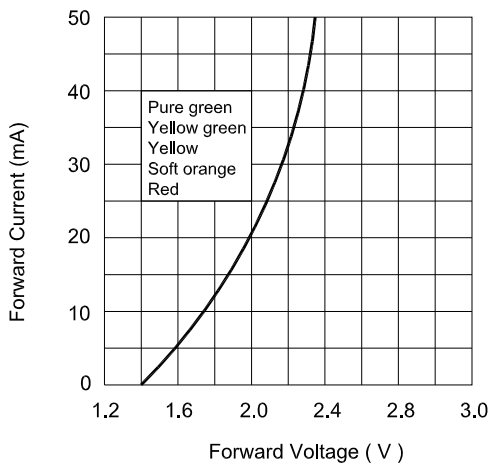
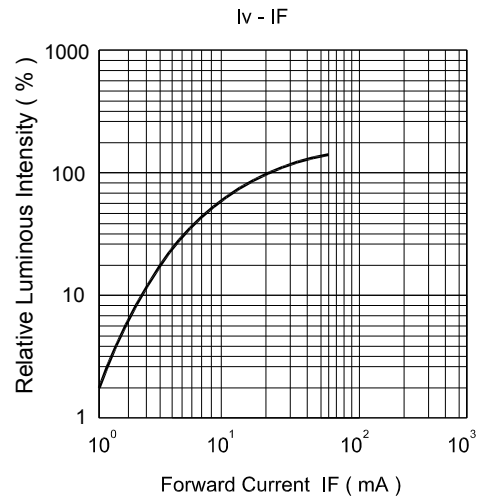
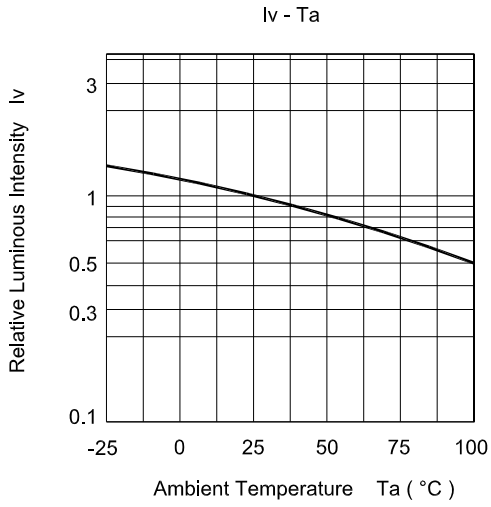


Recommended Soldering Pad

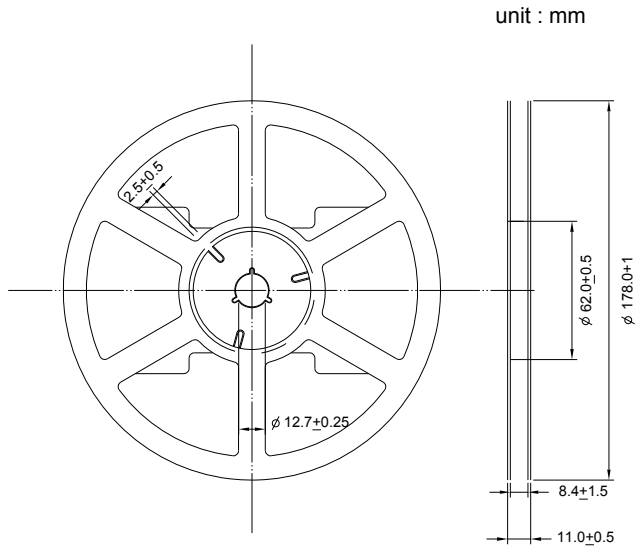
Notes:

1. All dimensions are millimeters.
2. Tolerance is $\pm 0.2\text{mm}$ unless otherwise specified.
3. Specifications are subject to change without notice.

Optical Characteristics Curves



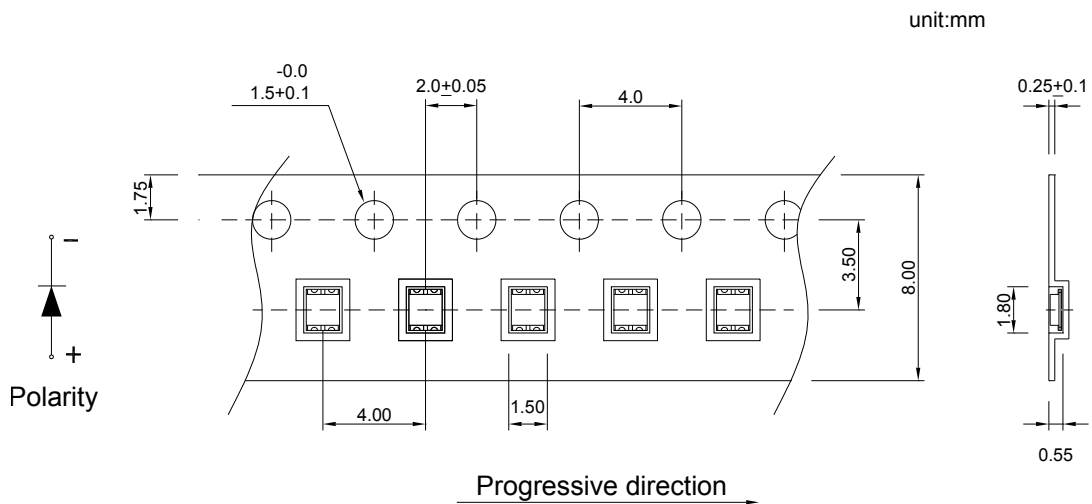
Reel Dimension:



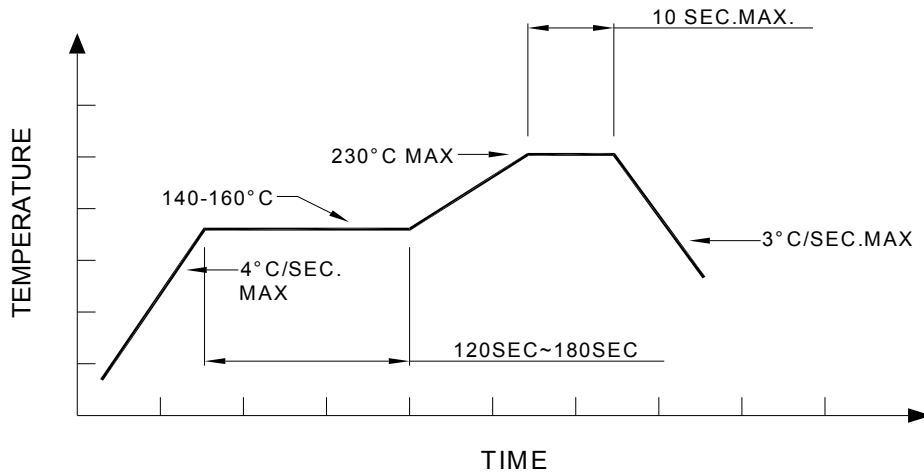
Note:

Available in 8mm carrier tape on 178mm diameter reels. (2,000 pieces)

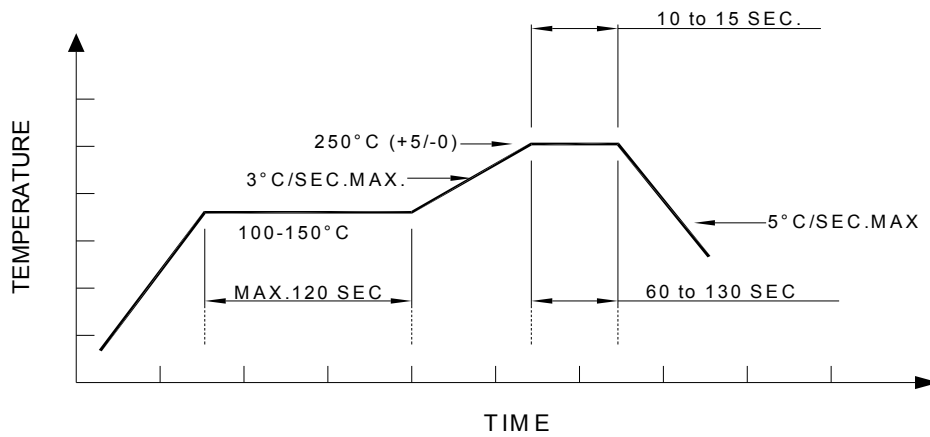
Tape Dimension:



Recommended re-flow soldering profile:



Recommended Pb-free re-flow soldering profile:



Note:

All the specifications listed in this data sheet are suitable for general electronic equipment, office equipment and communication devices. Kindly consult Sales Representatives for specific reliabilities request, Forward Voltage, Luminous Intensity, Wavelength, Radiant Power or Viewing Angle.